


PRODUCT SHEET

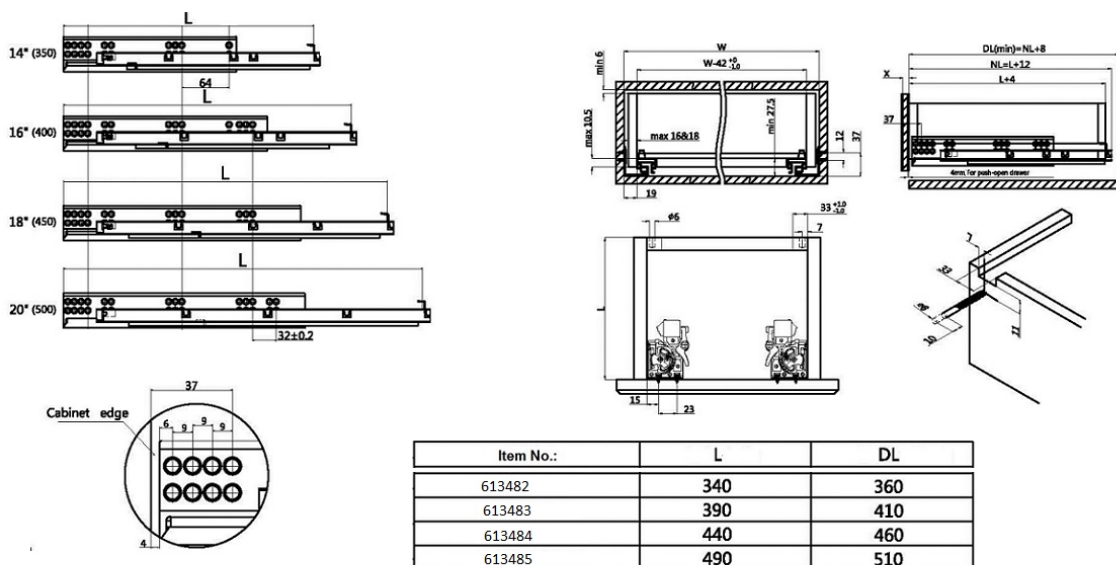
Description:

Invis. Full Ext. Slide, Self Closing, Pre-Zinc, 450mm, W/Quick Release & Inner Dampers

Item number:

16.13.484-0

| Units | Box | Carton | HS Code | Barcode |
|---------------|-----|--------|------------|--|
| Pair | 1 | 10 | 8302420090 |  |
| 5704866483308 | | | | |



| Item No.: | L | DL |
|-----------|-----|-----|
| 613482 | 340 | 360 |
| 613483 | 390 | 410 |
| 613484 | 440 | 460 |
| 613485 | 490 | 510 |

SISO A/S

Mileparken 11
DK-2740 Skovlunde
Denmark
VAT: DK 24786013

Phone +45 45 830 900

www.siso.dk
siso@siso.dk

Danske Bank
Nytorv Branch
Copenhagen
SWIFT: DABADKKK

Account no.
4180 3112 112936
IBAN Account
DK7230003112112936